



SPARE PARTS LIST

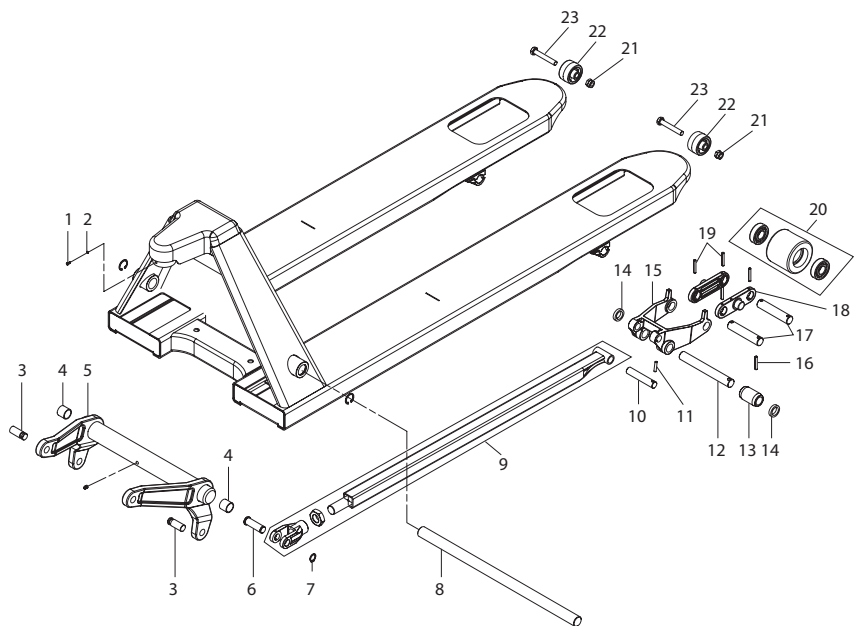
Pallet truck - economic version
TRP0007

TOTAL SOURCE®

CONTENT

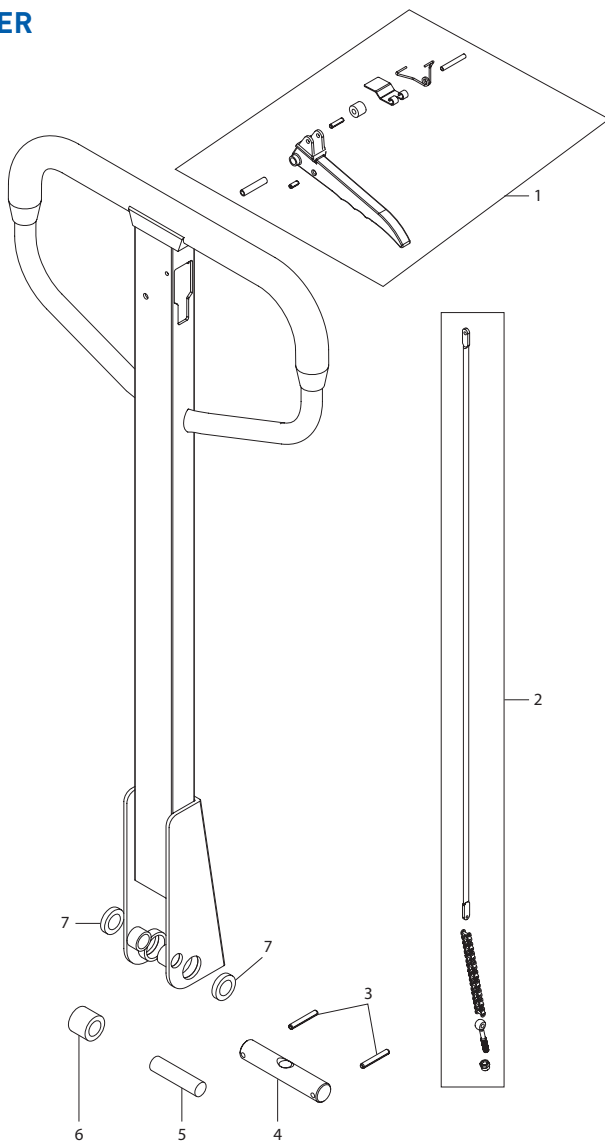
1. Body	4
2. Tiller	6
3. Pump	8

1. BODY



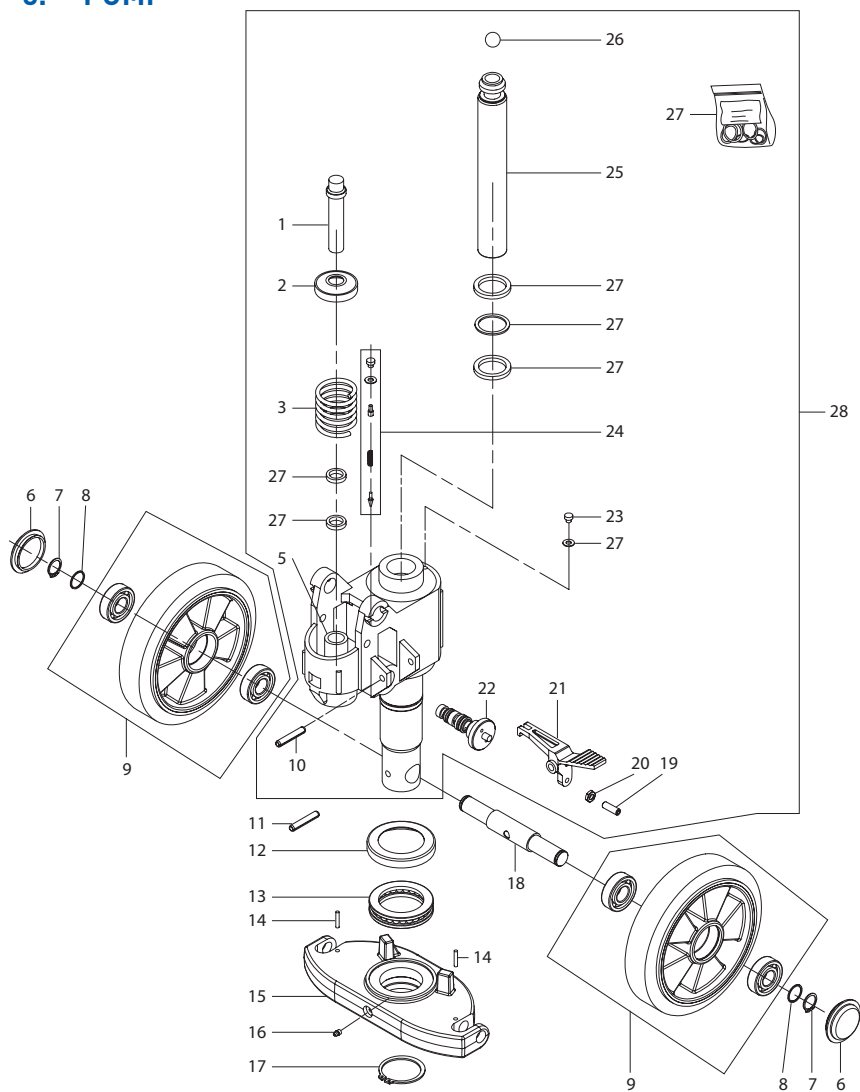
N°	Description	Remark	Qty	REF
1	Bolt		1	144TA6481
2	Spring gasket		1	144TA6480
3	Connecting pin		2	144TA6483
4	Bushing		2	144TA6505
5	Swing arm		1	144TA6482
6	Axle		2	144TA6486
7	Check ring		2	144TA6484
8	Axle		1	144TA6488
9	Pushrod complete 1150 mm		2	144TA6513
10	Axle		2	144TA6490
11	Elastic pin		2	144TA6491
12	Axle, exit roller		2	144TA2682
13	Exit roller	type 2	2	144TA6512
14	Wheel, exit roller		4	144TA2678
15	Fork, bracket load wheel		2	144TA2683
16	Elastic Pin		4	144TA2690
17	Roller axle		4	144TA6496
18	Linking plate		4	144TA6497
19	Elastic Pin		8	144TA2689
20	Wheel complete double poly		4	144TA6514
21	Nut		2	144TA6502
22	Entry roller		2	144TA6501
23	Bolt		2	144TA6500

2. TILLER



N°	Description	Remark	Qty	REF
1	Lowering lever complete		1	144TA6477
2	Lowering rod complete		1	144TA6478
3	Elastic pin		2	144TA6460
4	Axle with hole		1	144TA6459
5	Pinch roller pin		1	144TA6461
6	Pinch roller		1	144TA6462
7	Bushing		2	128TA4357
	Tiller complete		1	144TA6476

3. PUMP



N°	Description	Remark	Qty	REF
1	Pump piston		1	144TA6516
2	Spring cap		1	144TA6517
3	Big spring		1	144TA6518
5	Pump cylinder		1	144TA6521
6	Dust cover		2	144TA6535
7	Locking ring		2	144TA6534
8	Washer		2	144TA6523
9	Steering wheel complete rubber		2	144TA6555
10	Elastic pin		1	144TA6525
11	Elastic pin		1	144TA6526
12	Cover gap		1	144TA6527
13	Thrust bearing		1	144TA6528
14	Elastic pin		2	144TA6529
15	Thrust plate		1	144TA6530
16	Grease nipple		1	144TA6531
17	Ring - retaining		1	144TA6532
18	Wheel axle		1	144TA6533
19	Screw		1	144TA6553
20	Nut		1	144TA6537
21	Lever for lowering valve		1	144TA6554
22	Hydraulic valve unit		1	144TA6539
23	Plug screw		1	144TA6542
24	Valve safety		1	144TA6557
25	Big piston rod		1	144TA6551
26	Steel ball		1	144TA6552
27	Sealkit complete		1	144TA8704
28	Pump complete 2,5 T		1	144TA6556

TOTALSOURCE®

Your distributor:



Manufactured outside the EU for:



TVH PARTS NV
Brabantstraat 15 · 8790 Waregem · Belgium
T +32 56 43 42 11 · F +32 56 43 44 88 · info@tvh.com · www.tvh.com

TVHPARTS

REF 42192501 · 03-2018 · RC